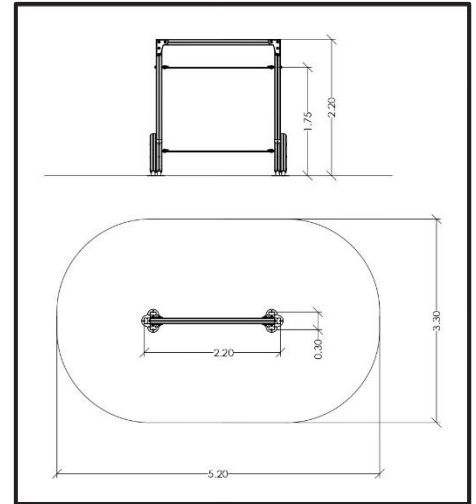


A045

Balancing Apparatus

INFORMATION ABOUT PRODUCT

| | |
|-------------------------------|----------------------|
| Minimum Space | 520x330x240 cm |
| Impact Protection net | 15,12 m ² |
| Dimensions | 220x30 cm |
| Overall Height | 220 cm |
| Free falling height | 60 cm |
| Foundations | 2 pcs |
| Availability of spare parts | YES |
| Product complies with EN 1176 | YES |
| Age range | 3 -14 |
| Amount of users | 2 |



MATERIALS

- Posts: Laminated pine wood 95x95mm
- Post cups made of Fiber - Reinforced Plastic
- Floors: HPL Antiskid 12mm (EXT)
- Panels: HPL 12mm (EXT)
- Wooden elements: Pine wood
- Metal Parts (colored): Hot Dip Galvanized and powder coated Steel
- Metal Parts (non - colored): Hot Dip Galvanized (plain) or Stainless Steel (304 / 316L)
- Steel Ropes apparatus: Steel core ropes braided with polypropylene (Ø16mm). Solid and aesthetic connectors made of injection molded durable plastic / end-connectors and sleeves made of durable aluminum alloy.
- All other plastic elements: Fiber reinforced plastic
- Fasteners: Electroplated coated or Stainless Steel (304 / 316L)
- Chains: Hot Dip Galvanized (plain) or Stainless Steel (304 / 316L) / Ø6mm / According to DIN 766
- Anchors: Hot Dip Galvanized steel



Please note that the above list of materials concerns the articles of the whole series. Therefore, some of them are not used in the described article.